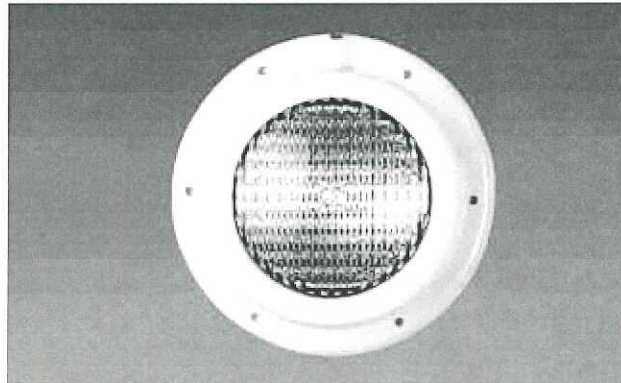


Barnegat Light® marine products

10 W. College Ave., P.O. Box 337, Yardley, PA 19067

www.BarnegatLt.com
Phone: 215/493-2777
or TOLL FREE 866-493-2777
FAX: 215/493-1401
or TOLL FREE FAX: 866-493-1401

**NEW
LED**

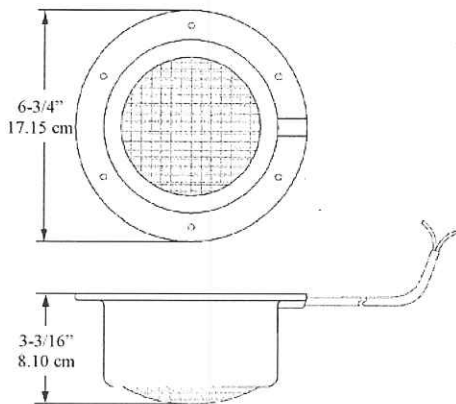


**UNDER
WATER
LIGHT**

**12 OR 24
VOLT**

attracts marine life for viewing, fishing or diving.

- UV stabilized ABS housing will take abuse of marine environment
- Internal components "potted" to prevent corrosion and two-part housing is then sealed closed
- Completely submersible
- Ideal for waterfront property; can be mounted to a bulkhead or a piling
- 4-foot cable
- GE halogen flood bulb rated for 400 hours with a 4-amp (12 V) or 2-amp (24 V) draw
- 50 watt halogen sealed beam
- Solid state LED's rated for 50,000 hours
- LED delivers 450 lumens and draws 550m amps @ 12 volts or 300 m amps @ 24 volts



MODEL NO.	DESCRIPTION	WT./@ IN LBS.
QL-UWL	Under water light, 12 volt bulb	2.8
QL-UWL-24	Under water light, 24 volt bulb	2.8
QL-UWL-LED	White LED Under water light, 12/24 volt bulb	3.1

UNDER WATER LIGHT

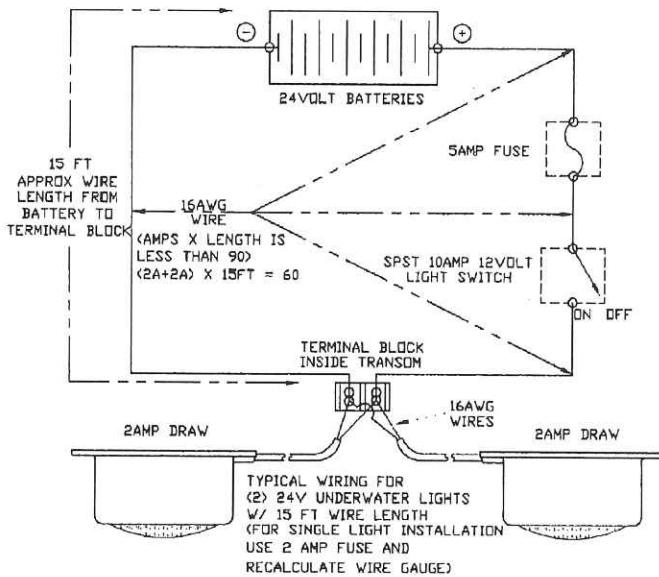
Installation Notes:

Can use any #8 stainless steel non-flathead screws to mount unit to swim platform.

Use marine grade tinned-through stranded copper wire #16 AWG or heavier. Use heavier gauge wire for longer cable runs. As per ABYC recommendations. (Obviously, if two lights are wired to one common wire the gauge must be increased on the common wire to handle the combined current of both lights.)

Fusing should be a maximum of 5 amps (12V) or 2 amps (24V) per light.

24-V LIGHT:



General Wire Gauge Rule of Thumb

16 AWG	Amps x Length of wire is less than 90
14 AWG	Amps x Length of wire is less than 142
12 AWG	Amps x Length of wire is less than 227
10 AWG	Amps x Length of wire is less than 360
8 AWG	Amps x Length of wire is less than 571
6 AWG	Amps x Length of wire is less than 907
4 AWG	Amps x Length of wire is less than 1440
2 AWG	Amps x Length of wire is less than 2288

12-V LIGHT:

