

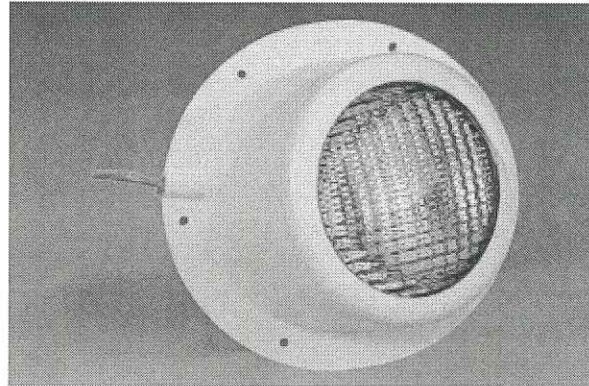


Barnegat Light[®] marine products

10 W. College Ave., P.O. Box 337, Yardley, PA 19067

www.barnegatlt.com
Phone: 215/493-2777
or TOLL FREE 866-493-2777
FAX: 215/493-1401
or TOLL FREE FAX: 866-493-1401

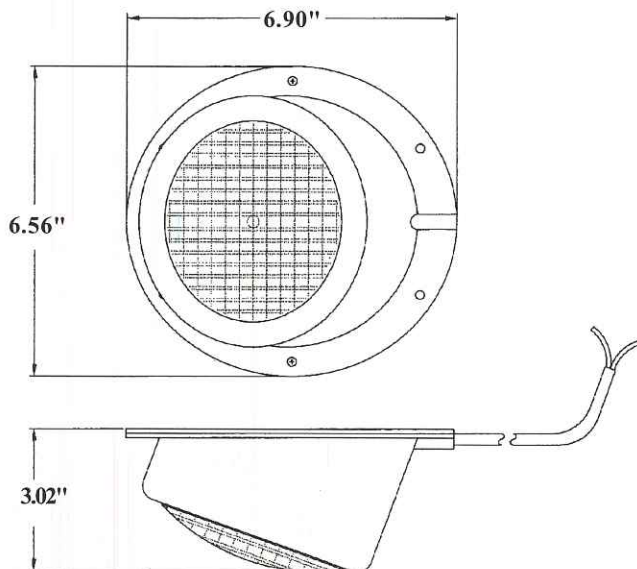
**MODEL
SPL**



**SWIM
PLATFORM
LIGHT**

New light for mounting under swim platform. Light attracts marine life for viewing, fishing or diving.

- UV stabilized ABS housing will take abuse of marine environment.
- Internal components "potted" to prevent corrosion and two-part housing is then sealed closed.
- 4-Foot cable allows electrical connections to be made inside the boat.
- GE halogen flood lamp rated for 400 hours with a 4-amp draw.



MODEL NO.	DESCRIPTION	WEIGHT PER EACH
SPL	Swim Platform Light	1.0

SWIM PLATFORM LIGHT

Installation Notes:

Can use any #8 stainless steel non-flathead screws to mount unit to swim platform.

Use marine grade tinned-through stranded copper wire #16 AWG or heavier. Use heavier gauge wire for longer cable runs. As per ABYC recommendations. (Obviously, if two lights are wired to one common wire the gauge must be increased on the common wire to handle the combined current of both lights.)

Fusing should be a maximum of 5 amps per light.

General Wire Gauge Rule of Thumb

16 AWG	Amps x Length of wire is less than 90	8 AWG	Amps x Length of wire is less than 571
14 AWG	Amps x Length of wire is less than 142	6 AWG	Amps x Length of wire is less than 907
12 AWG	Amps x Length of wire is less than 227	4 AWG	Amps x Length of wire is less than 1440
10 AWG	Amps x Length of wire is less than 360	2 AWG	Amps x Length of wire is less than 2288

