

DOCK BOSS Gear & Boarding Rail

Model DB-G

Parts and Instruction Manual

8700PM1

Important: *DO NOT* mount the Dock Boss to rotted or loose decking. Inspect the dock and repair as necessary prior to installing the Dock Boss.

Warning: *Know your dock!* The floatable components of certain floating docks can be damaged by drilling into them. Use caution when drilling into the dock and be sure to choose the correct length of mounting hardware.

Installation Instructions

Important: *The wood or composite decking should be a minimum of 1" thick*

1. See Figures 1, 2, 3 & 4 for overall sizes and placement of the Dock Boss
2. Lift the Dock Boss handrail up into the stored position
3. Secure the Dock Boss to the deck by using 5/16" lag bolt hardware with a minimum length of 1-1/2" (not included)

Care and Maintenance

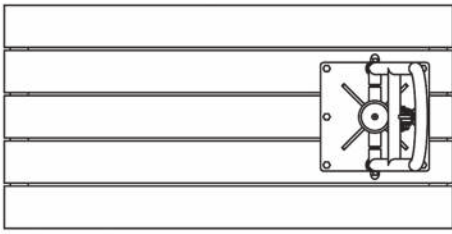
Important: *If high winds are expected, an elastic cord should be wrapped tightly around the Inner Support (3) and Post (1) when not in use to prevent potential damage to handrail and components.*

- Clean using mild soap and water
- Lubricate all joints and pivots with CRC Stor & Lube long-term lubricant and rust preventative #03032 or equivalent. Wipe off excess lubricant
- Polish the Dock Boss using automotive polish

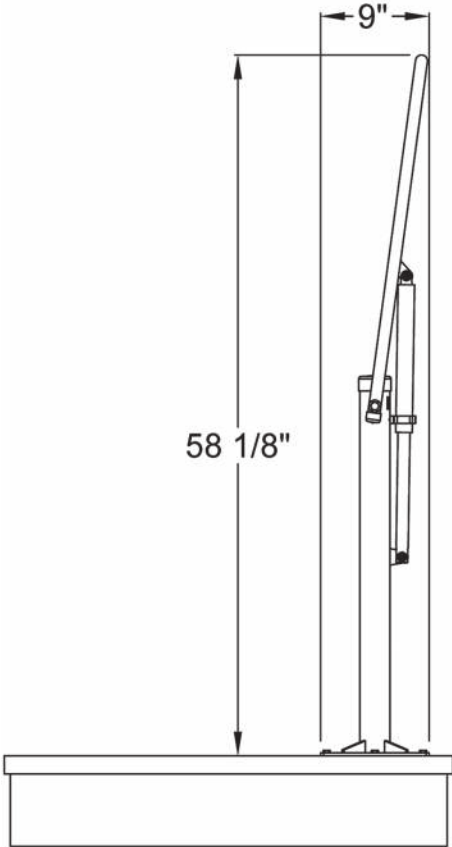
Adjusting Handrail Rate of Descent: Tighten or loosen the two nuts shown in Figure 1 to adjust the handrail rate of descent

Operating the Dock Boss

- Pull handrail down into deployed position (Figure 3). Slide supplies across handrail as needed
- To store the handrail, lift until it clicks into the Tool Clip (Item 9)



STORED POSITION
TOP VIEW



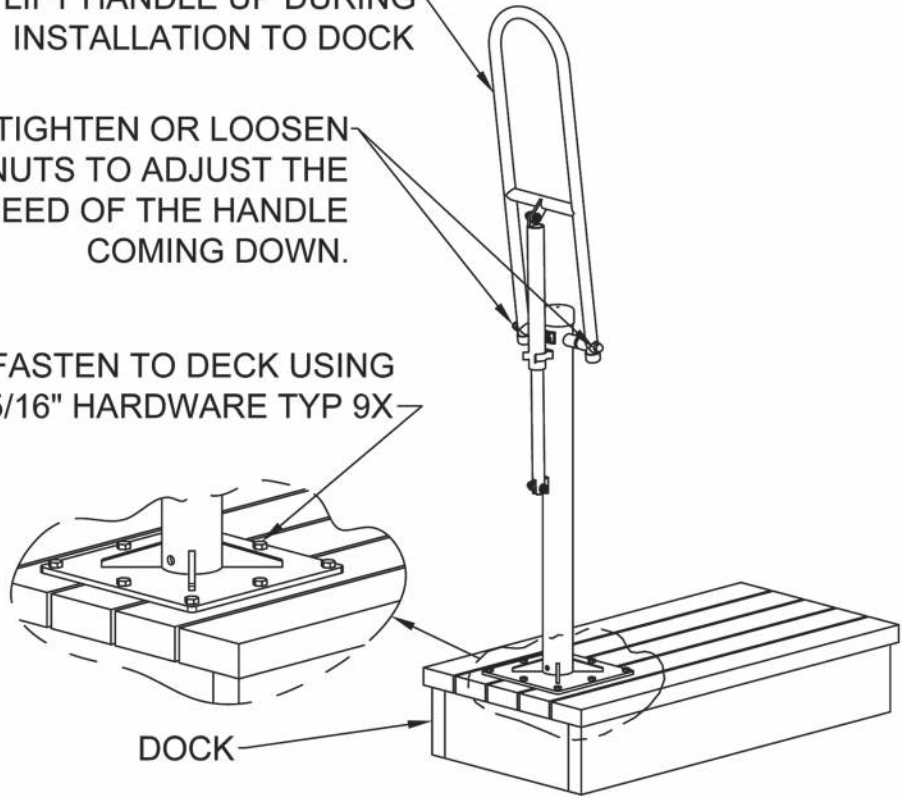
STORED POSITION
SIDE VIEW

FIGURE 2

LIFT HANDLE UP DURING
INSTALLATION TO DOCK

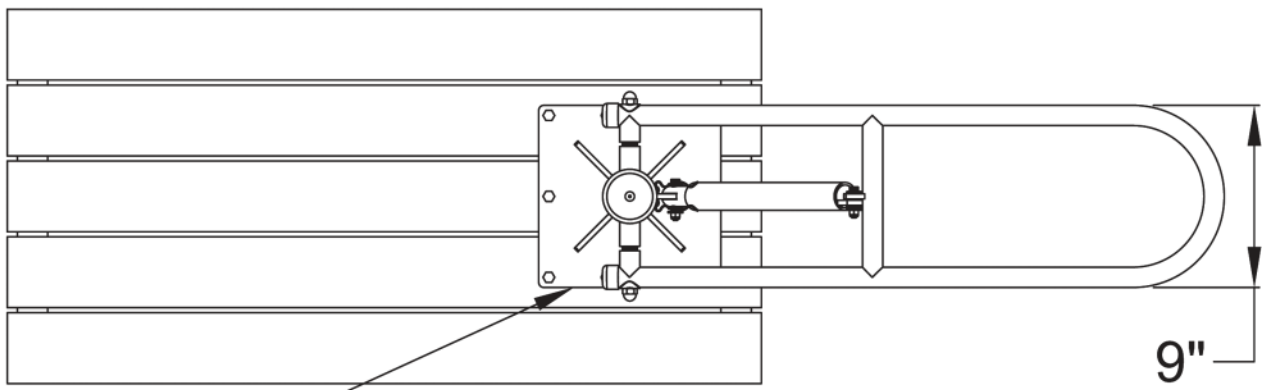
TIGHTEN OR LOOSEN
NUTS TO ADJUST THE
SPEED OF THE HANDLE
COMING DOWN.

FASTEN TO DECK USING
5/16" HARDWARE TYP 9X



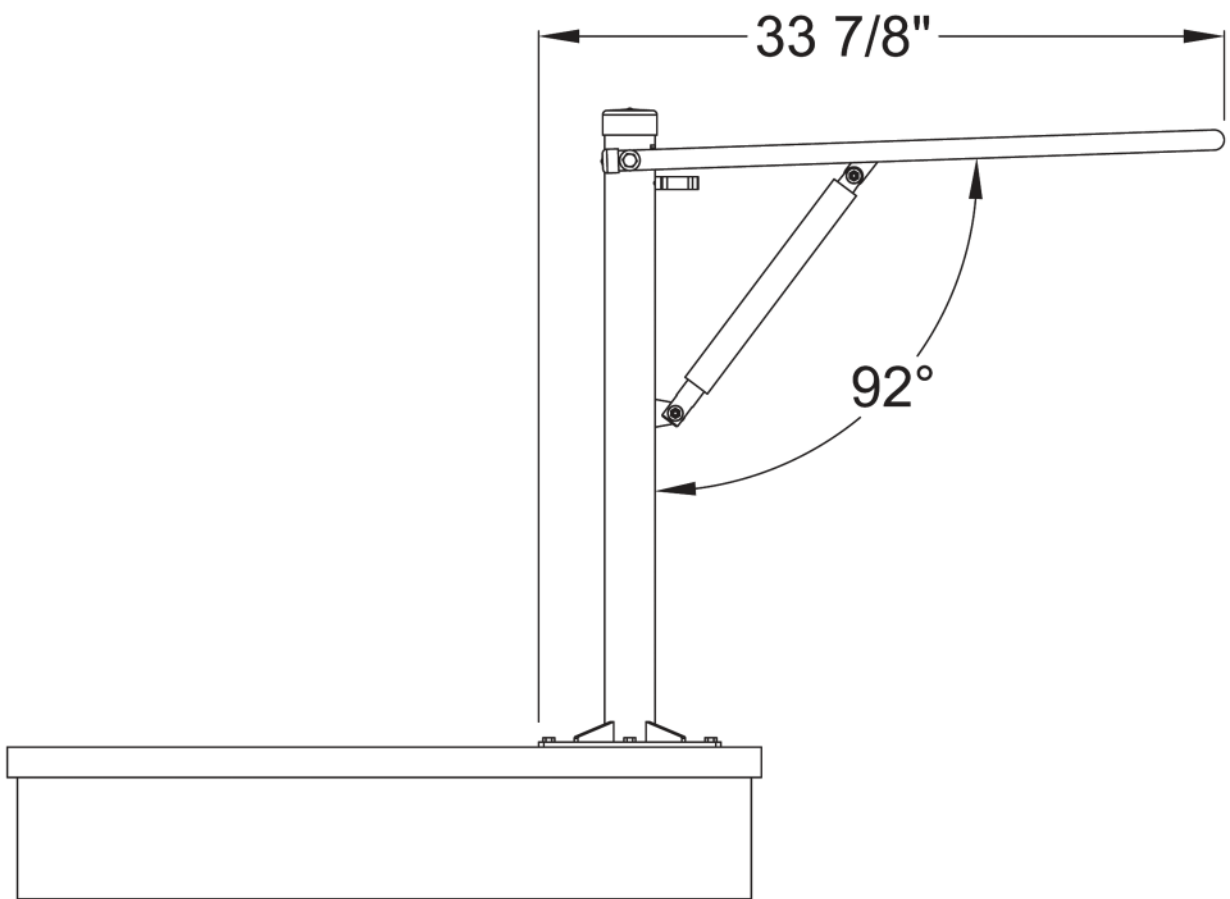
DOCK

FIGURE 1

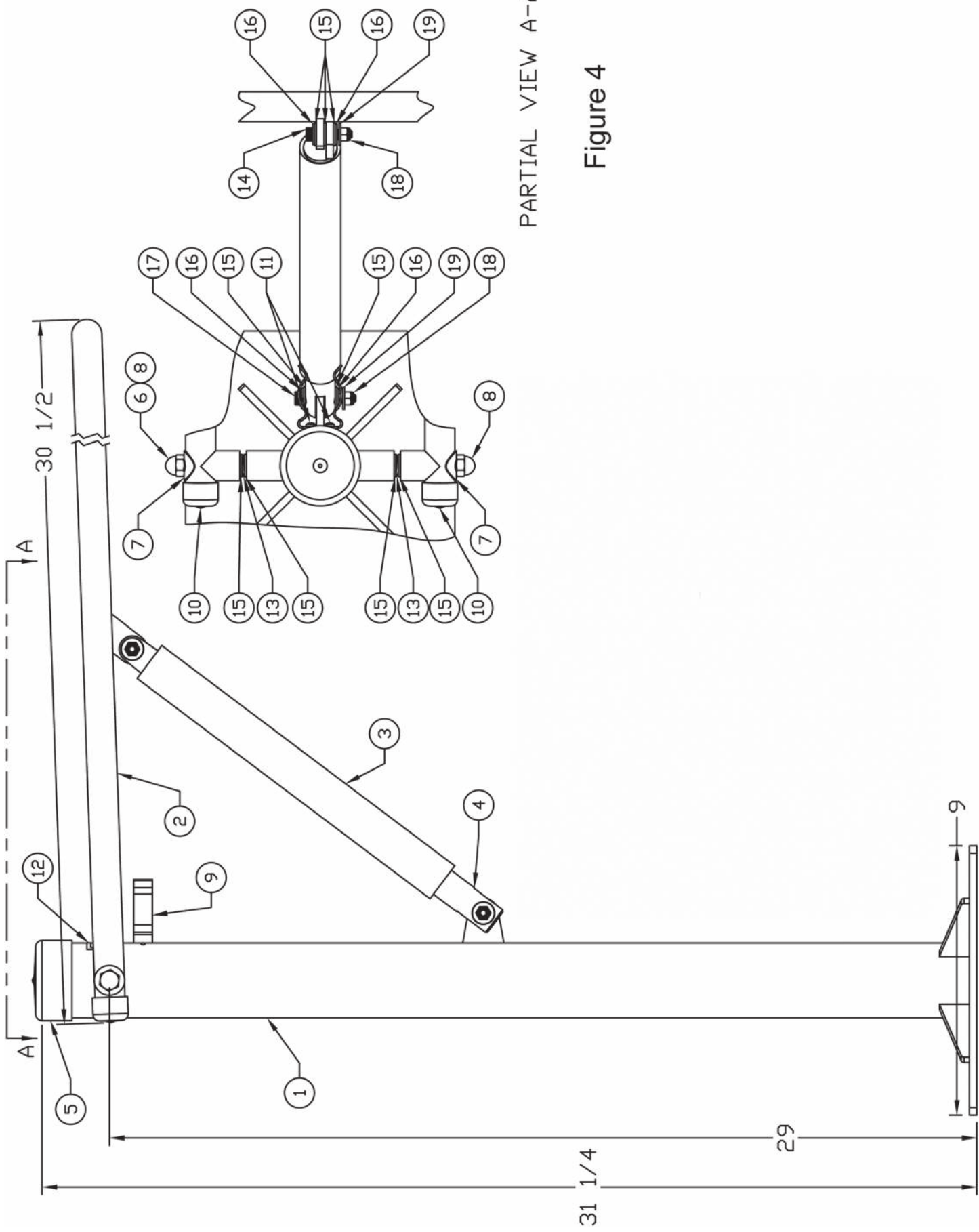


9" x 9"
BASE

DEPLOYED
POSITION
TOP VIEW



DEPLOYED
POSITION
SIDE VIEW
FIGURE 3



PARTIAL VIEW A-A

Figure 4

ITEM	PART NUMBER	DESCRIPTION	QTY
1	8700-015-105	POST ASSY	1
2	8700-015-107	HANDRAIL ASSY	1
3	8700-015-109	SUPPORT, OUTER ASSY	1
4	8700-015-111	SUPPORT, INNER	1
5	8700-005-107	CAP, ϕ 2 1/2 X 1 HIGH	1
6	8700-015-113	SHAFT, THREADED ϕ 3/8-16 SS	1
7	9114-353700	WASHER, SADDLE, ϕ 3/8 X 1" OD SS	2
8	9112-403700	NUT, ACORN ϕ 3/8-16 SS	2
9	3075-145-000	TOOL CLIP, ϕ 1 1/2	1
10	8700-015-115	CAP, ϕ 1	2
11	9110-221310	SCREW, #8-32 X 5/8 PAN SS	2
12		LABEL, PATENT	1
13	9112-307500	CURVED DISK SPRING SS	2
14	9110-312514	BOLT, SHOULDER, 5/16 X 7/8, 1/4-20 SS	1
15	3093-400-153	WASHER, NYLON ϕ 3/8	9
16	9114-113100	WASHER, ϕ 5/16 FLAT SS	4
17	9110-312522	BOLT, SHOULDER, 5/16 X 1-3/8, 1/4-20 SS	1
18	9113-172500	NUT, 1/4-20, LOCKING, SS	2
19	9114-112500	WASHER, ϕ 1/4 REGULAR SS	2



**Barnegat
Light® marine products**

10 West College Avenue, P.O. Box 337, Yardley, PA 19067-0587 • (215) 493-2777 • FAX: (215) 493-1401

Barnegat Light is the registered trademark for Barnegat Light Marine Products

www.barnegatlt.com

Copyright Barnegat Light 5-17