

DOCK BOSS Fixed Rail

Model DB-F

Parts and Instruction Manual

8700PM3

Important: *DO NOT* mount the Dock Boss to rotted or loose decking. Inspect the dock and repair as necessary prior to installing the Dock Boss.

Warning: *Know your dock!* The floatable components of certain floating docks can be damaged by drilling into them. Use caution when drilling into the dock and be sure to choose the correct length of mounting hardware.

Installation Instructions

Important: *The wood or composite decking should be a minimum of 1" thick*

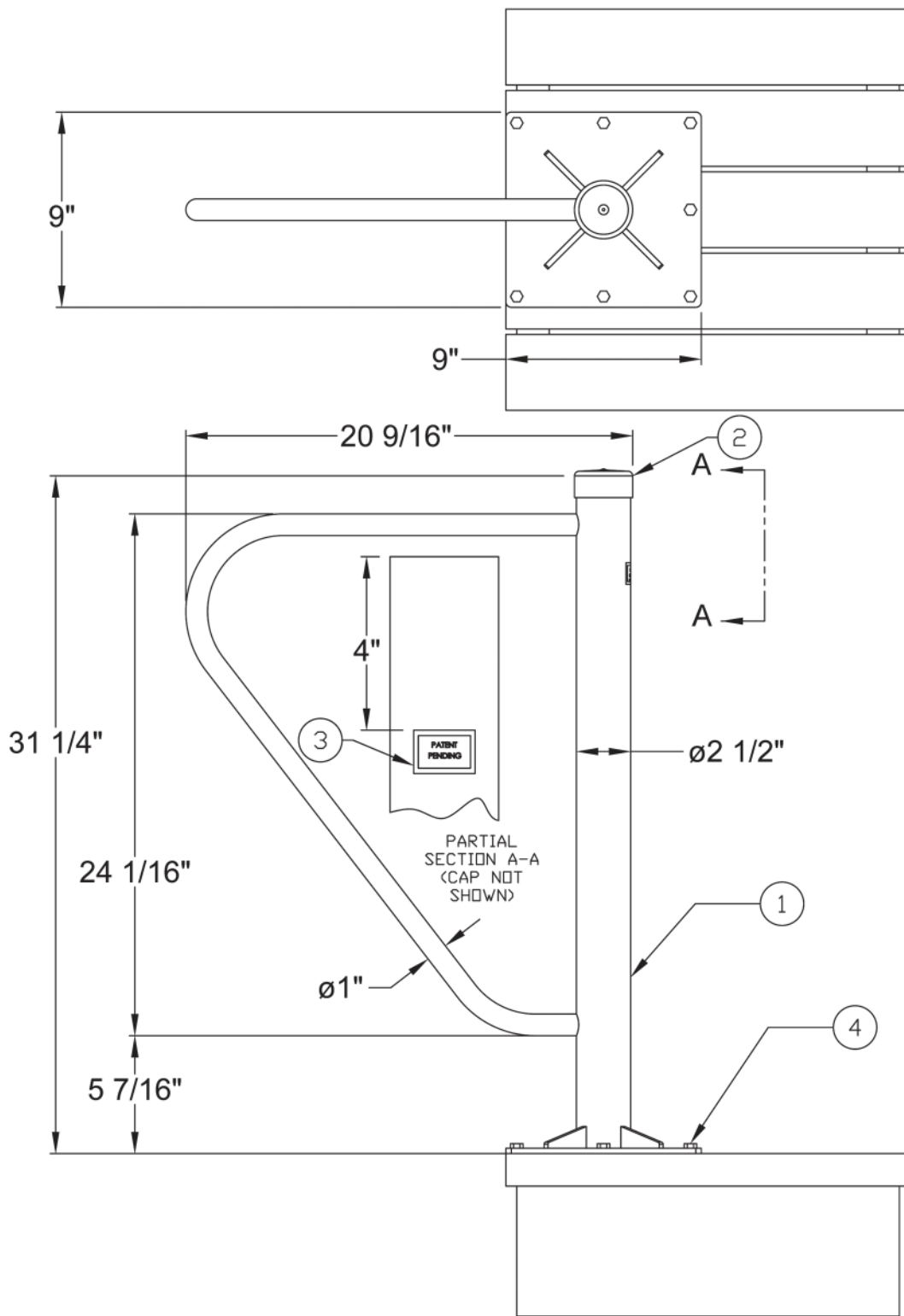
1. See Page 2 for overall sizes and placement of the Dock Boss
2. Secure the Dock Boss to the deck by using 5/16" lag bolt hardware with a minimum length of 1-1/2" (not included) (See Page 3)

Care and Maintenance

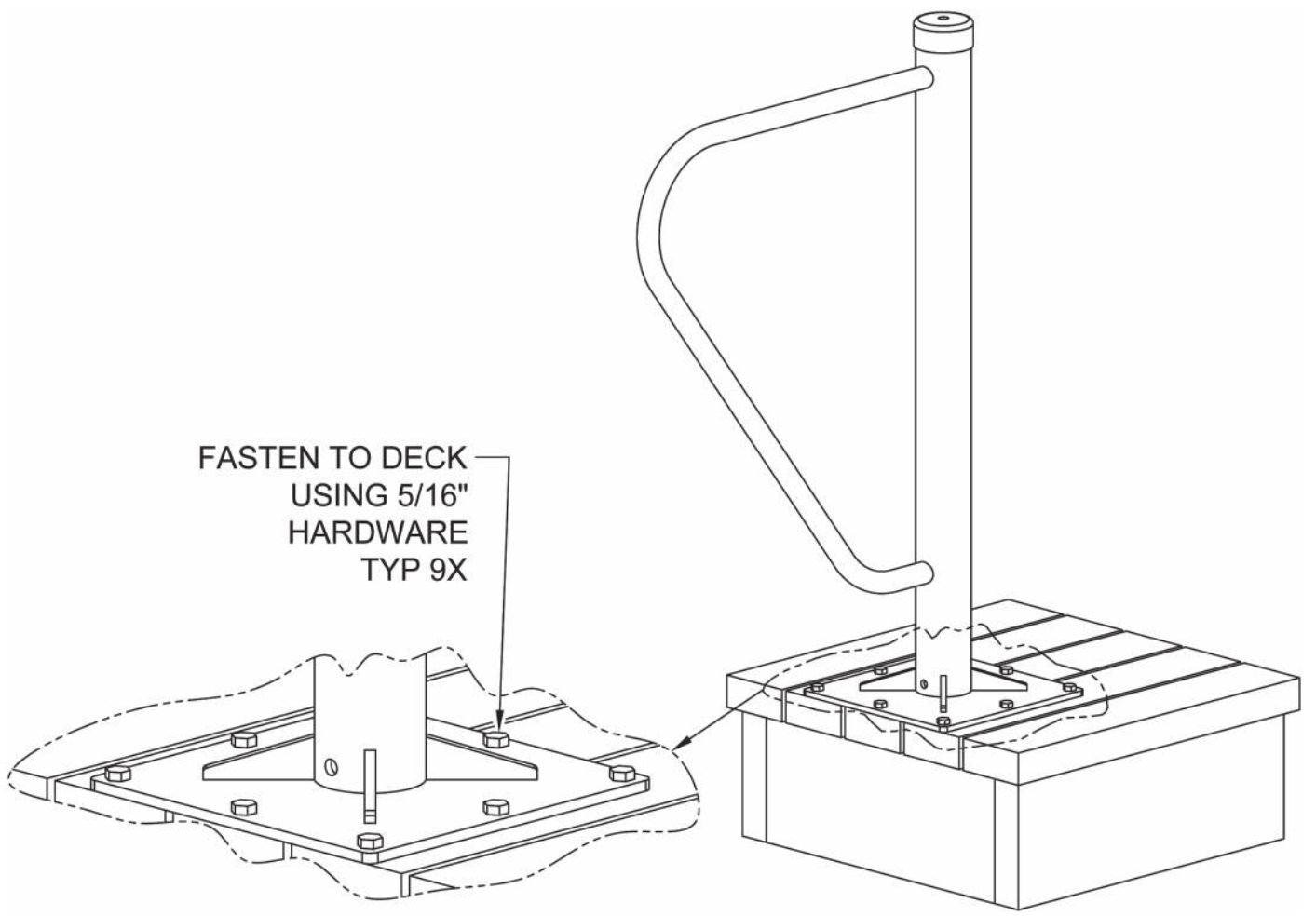
- Clean using mild soap and water
- Polish the Dock Boss using automotive polish

Using the Dock Boss

- Grip the Dock Boss firmly when moving on or off the boat



ITEM	PART #	DESCRIPTION	QTY.
1	8700-005-105	FIXED WELDMENT	1
2	8700-005-107	CAP, Ø2 1/2 X 1 HIGH	1
3		LABEL, PATENT PENDING	1
4	NOT INCLUDED	MOUNTING HARDWARE	9





**Barnegat
Light® marine products**

10 West College Avenue, P.O. Box 337, Yardley, PA 19067-0587 • (215) 493-2777 • FAX: (215) 493-1401

www.barnegatlt.com

Barnegat Light is the registered trademark for Barnegat Light Marine Products

Copyright Barnegat Light 6-17